

Model CE35 Case Erector



Optional Right Angle Vertical Magazine



Horizontal Case Magazine

Robust, Compact Case Erector at Speeds up to 35 CPM.

Pearson's CE35 Case Erector is an easy to use, highly reliable machine capable of erecting and bottom sealing RSC, HSC, CSSC, and RSC w/Integral Divider cases with either tape or hot melt glue closure at speeds up to 35 cases per minute. The small footprint makes it ideal for production areas and an optional low-level, vertical magazine makes it easy to load blanks into the machine for erecting. The CE35 Intermediate Frame models are the answer for larger case ranges.

The CE35's utilize two styles of case magazines, a standard horizontal magazine or an optional vertical magazine. The inline horizontal magazine utilizes powered chain advancement for the knock-down blanks. The vertical magazine picks and feeds knock-down blanks into horizontal rollers for smooth operating reliability and blank transfer.

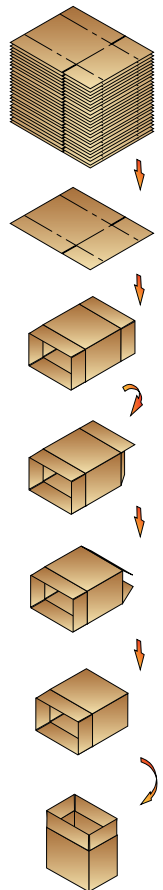
Once in the case erector, blanks are advanced to the forming section where vacuum cups on major flaps open the blank, eliminating interference of minor flaps. The case is then advanced by flights through flap folders and plows to ensure positive set-up, square corners, and a tight seal. The new design of the CE35's makes them capable of erecting cases with poor scoring or over-gluing of manufacturer's joints.

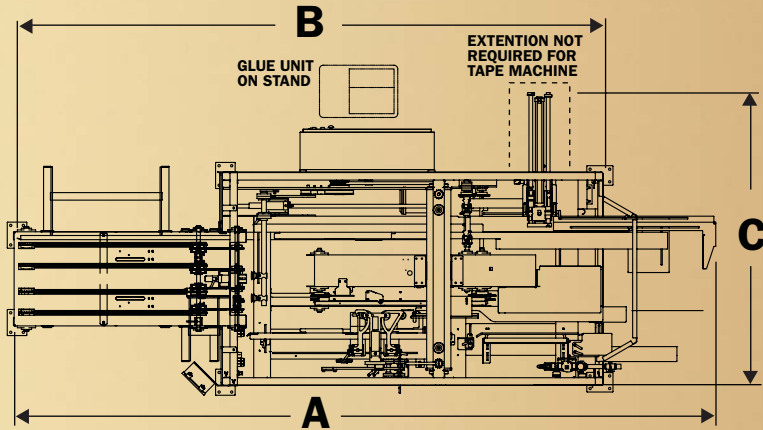
With a simplified design, the CE35's are equipped with quick-release kip handles and scales for fast, no-tool changeover with optional quick change mandrels. An operator panel view guides the operator through the easy changeover process.

The CE35's offer the following features:

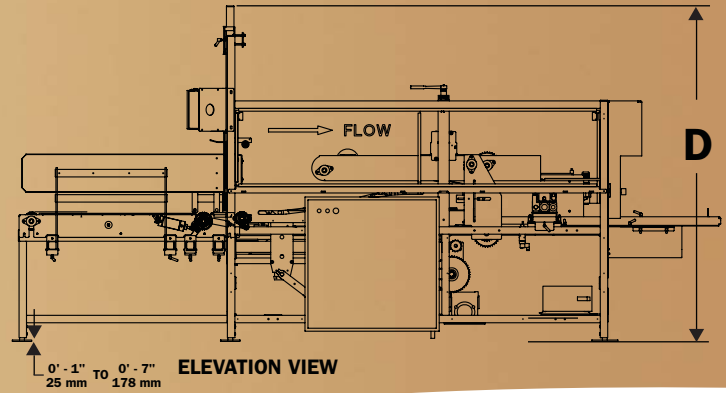
- **Allen-Bradley® PLC**
- **Allen-Bradley® Variable Frequency Drive**
- **Allen-Bradley® PanelView Operator Interface**
- **PackML compliant standard**
- **Nordson® Adhesive Melter**
- **Dekka® Pressure Sensitive Tape Head**
- **Venturi vacuum generators**
- **Electrically interlocked safety guard package**
- **Energy Saving Mode**
- **1/6 Speed Jog-Shuttle Control**
- **Quick 3 minute changeover**
- **UL® Listed Control Panel**
- **Stainless steel construction optional**

Like all Pearson products, the CE35 is backed by Pearson's experienced factory professionals as well as one of the largest teams of PMMI certified regional service technicians in the industry, available 24-hours a day, 7-days a week - worldwide.





PLAN VIEW



ELEVATION VIEW

UTILITY REQUIREMENTS CE35

CE35-G

Electrical:

230/460V, 3-phase,
60 Hz Std., 9.58 kVA

Pneumatic:

1.341 SCF/Cycle @ 80 PSI
(0.038 m³ /cycle @ 551.2 KPa)

Shipping Weight:

CE35-G - 3,350 lbs. (1508 kg)
CE35-15G - 5,120 lbs. (2306 kg)

CE35-T

Electrical:

230/460V, 3-phase,
60 Hz Std., 5.19 kVA

Pneumatic:

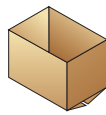
0.744 SCF/Cycle @ 80 PSI
(0.021 m³ /cycle @ 551.2 KPa)

Shipping Weight:

CE35-T - 3,200 lbs. (1453 kg)
CE35-20T - 5,120 lbs. (2306 kg)



RSC



HSC



CSSC



RSC w/
Integral
Divider

ERECTED CASE SIZE RANGES

	LENGTH	WIDTH	DEPTH	OPEN DEPTH*
CE35-T	8.75" – 23.5" 222 – 597 mm	5" – 16" 127 – 406 mm	5.625" – 18.5" 143 – 470 mm	8.125" – 21" 152 – 533 mm
CE35-G	8.75" – 23.5" 222 – 597 mm	5" – 16" 127 – 406 mm	3.5" – 18.5" 89 – 470 mm	6" – 21" 152 – 533 mm
CE35-20T	12" – 30"	8" – 24"	4.75" – 26"	10.5" – 30"
CE35-15G	305 – 762 mm	203 – 610 mm	121 – 660 mm	267 – 762 mm

KNOCKED-DOWN SIZES

	LENGTH	WIDTH	BOTTOM FLAP WIDTH
CE35-T	13.75" – 39.5"	8.5" – 29"	2.5" – 8"
CE35-G	349 – 1003 mm	216 – 737 mm	64 – 203 mm
CE35-20T	20" – 50"	14.5" – 42"	4" – 12"
CE35-15G	508 – 1270 mm	368 – 1067 mm	102 – 305 mm

* Top flaps open, bottom flaps closed. Please consult the factory with your project specifications.

MACHINE SPECIFICATIONS

	Overall Length = A	Machine Length = B	Machine Width = C	Machine Height = D	Speed
CE35-G	15' - 8.25" 4775 mm	13' - 2" 4013 mm	4' - 9" 1448 mm	7' - 6" 2261 mm	35 cpm
CE35-T	15' - 8" 4779 mm	13' - 2" 4013 mm	4' - 9" 1448 mm	7' - 6" 2261 mm	35 cpm
CE35-15G	18' - 11" 5766 mm	15' - 6" 4724 mm	10' - 6" 3190 mm	7' - 3" 2209 mm	15 cpm
CE35-20T	18' - 11" 5766 mm	15' - 6" 4724 mm	7' - 6" 2269 mm	7' - 3" 2209 mm	20 cpm

All machine dimensions shown reflect horizontal magazine configuration. Consult Pearson for dimensions for right-angle vertical magazine configuration.

